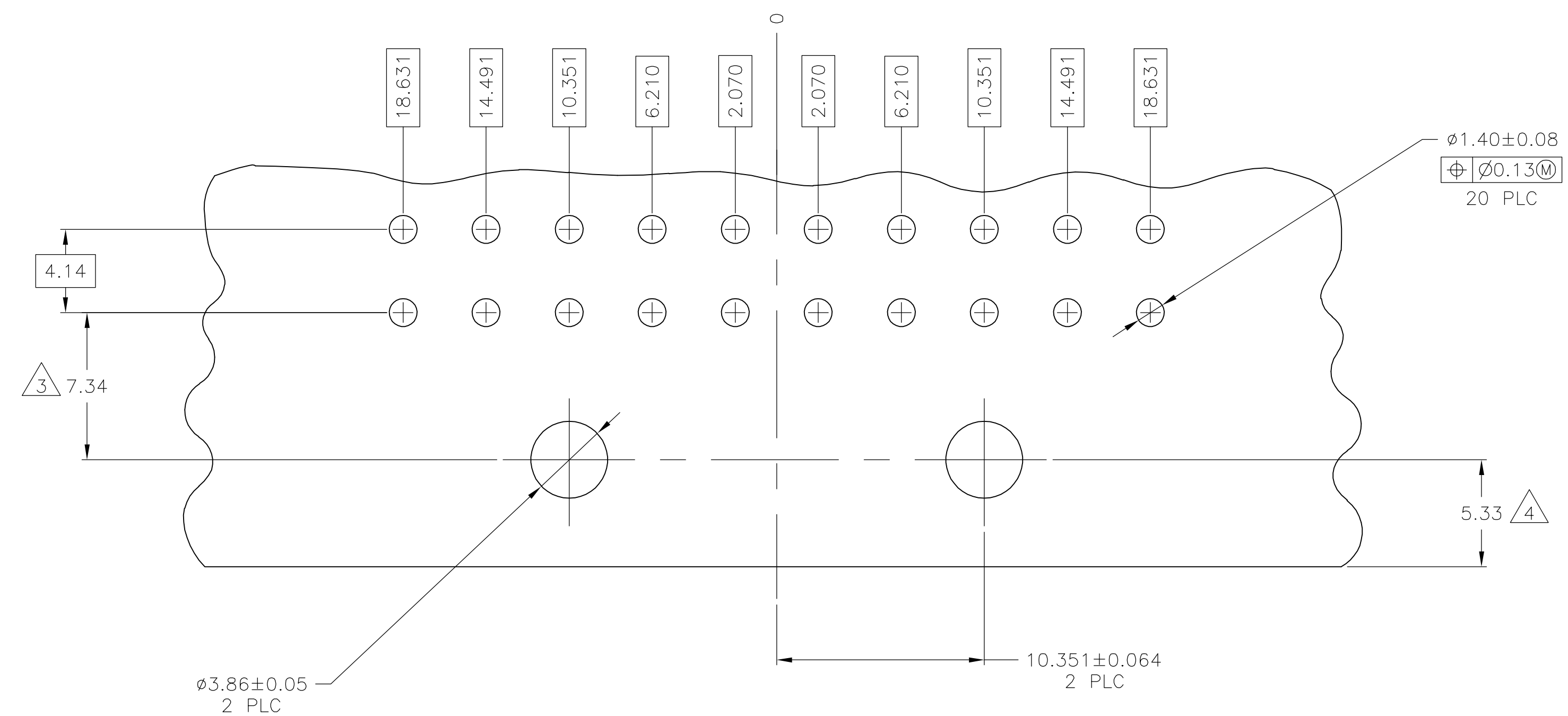
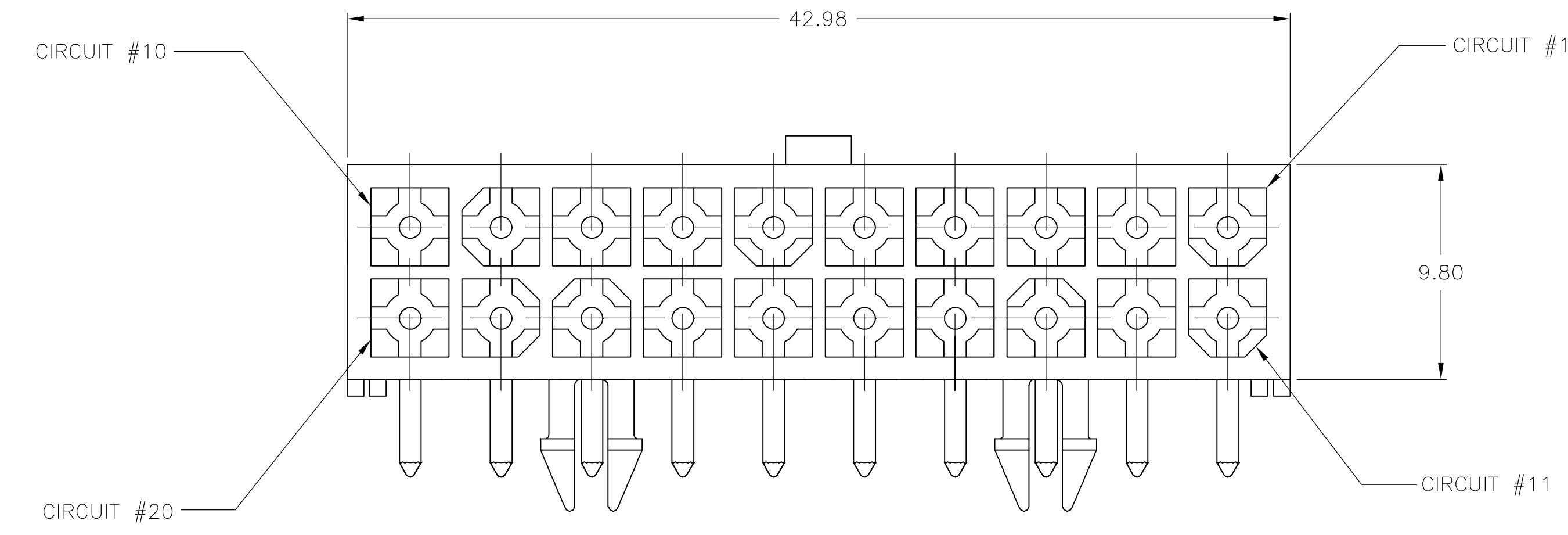
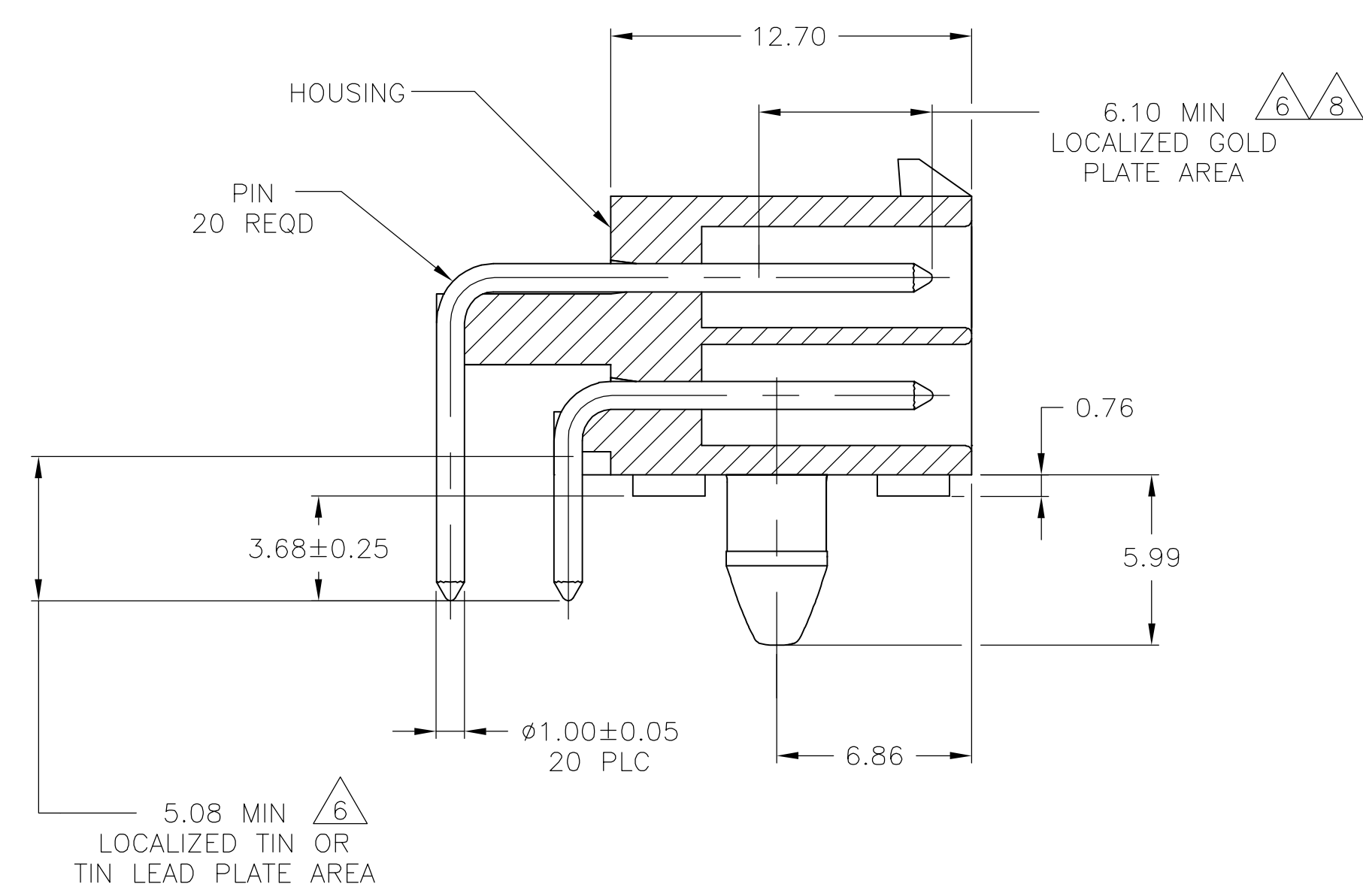


1. PINS TO COMPLY WITH AMP SOLDERABILITY SPEC 109-11-3.
2. MATES WITH PLUG P/N 770585-1.
3. COORDINATE DIMENSION APPLIES FROM CENTER OF ACTUAL FEATURE.
4. RECOMMENDED FOR EDGE MOUNTING.
5. 0.00381 MIN MATTE TIN LEAD PLATE OVER 0.00127 MIN NICKEL.
6. 0.00076 MIN GOLD PLATE IN THE LOCALIZED GOLD PLATE AREA, 0.00381 MIN MATTE TIN LEAD IN THE LOCALIZED PLATE AREA, BOTH OVER 0.00127 MIN NICKEL.
7. 0.00381 MIN MATTE TIN PLATE OVER 0.00127 MIN NICKEL.
8. 0.00076 MIN GOLD PLATE IN THE LOCALIZED GOLD PLATE AREA, 0.00381 MIN MATTE TIN IN THE LOCALIZED TIN PLATE AREA, BOTH OVER 0.00127 MIN NICKEL.



RECOMMENDED MOUNTING HOLE PATTERN FOR 1.57 THICK P.C. BOARD

1.00	.039	6.10	.240	-	-
0.76	.030	5.99	.236	42.98	1.692
0.25	.010	5.33	.210	18.631	.7335
0.13	.005	5.08	.200	14.491	.5705
0.08	.003	4.14	.163	12.70	.500
0.064	.0025	3.86	.152	10.351	.4075
0.05	.002	3.68	.145	9.80	.386
0.00381	.000150	2.070	.0815	7.34	.289
0.00127	.000050	1.57	.062	6.86	.270
0.00076	.000030	1.40	.055	6.210	.2445
MM	IN	MM	IN	MM	IN

CONVERSION TABLE

BRASS	GOLD	8	NYLON, UL94V-0	WHITE	1-794106-1
BRASS	TIN	7	NYLON, UL94V-0	WHITE	1-794106-0
BRASS	GOLD	6	NYLON, UL94V-0	WHITE	794106-2
BRASS	TIN LEAD	5	NYLON, UL94V-0	WHITE	794106-1
MATERIAL	FINISH	MATERIAL	COLOR	PART NO	
PIN			HOUSING		
THIS DRAWING IS A CONTROLLED DOCUMENT.			Tyco Electronics Corporation Harrisburg, PA 17105-3608		
DIMENSIONS: mm			TOLERANCES UNLESS OTHERWISE SPECIFIED:		
0 PLC ± -			1 PLC ± -		
1 PLC ± -			2 PLC ± 0.13		
2 PLC ± -			3 PLC ± -		
3 PLC ± -			4 PLC ± -		
4 PLC ± -			ANGLES ± -		
FINISH			WEIGHT		
SEE TABLE			SEE TABLE		
MATERIAL			SIZE		
SEE TABLE			A1 00779		
CUSTOMER DRAWING			SCALE 5:1 SHEET 1 OF 1 REV B		

